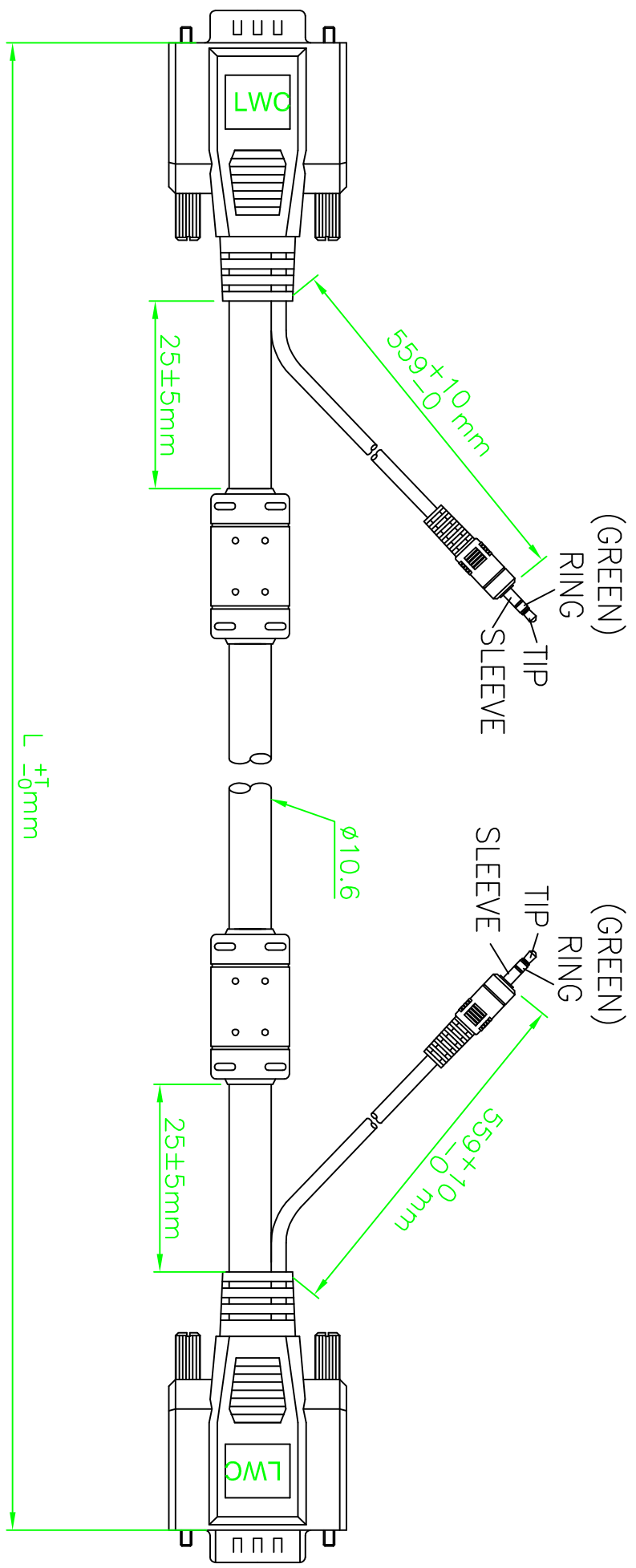


| REV | DESCRIPTION | DATE     |
|-----|-------------|----------|
| 0   | ISSUE       | 03/19/08 |

∅3.5mm STEREO 1      ∅3.5mm STEREO 2



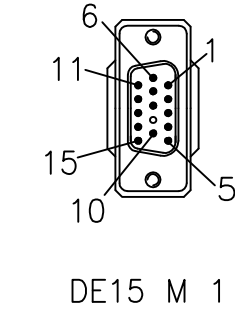
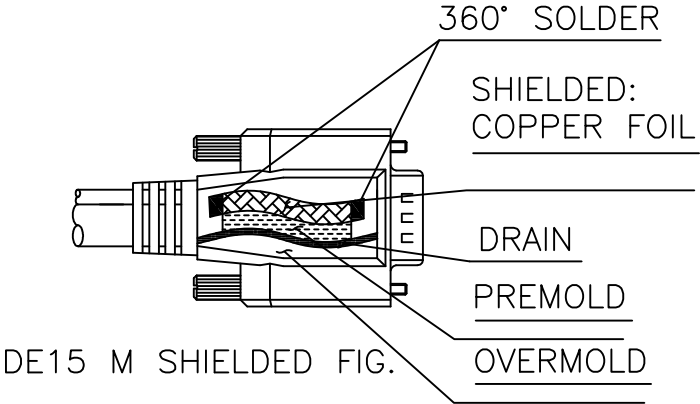
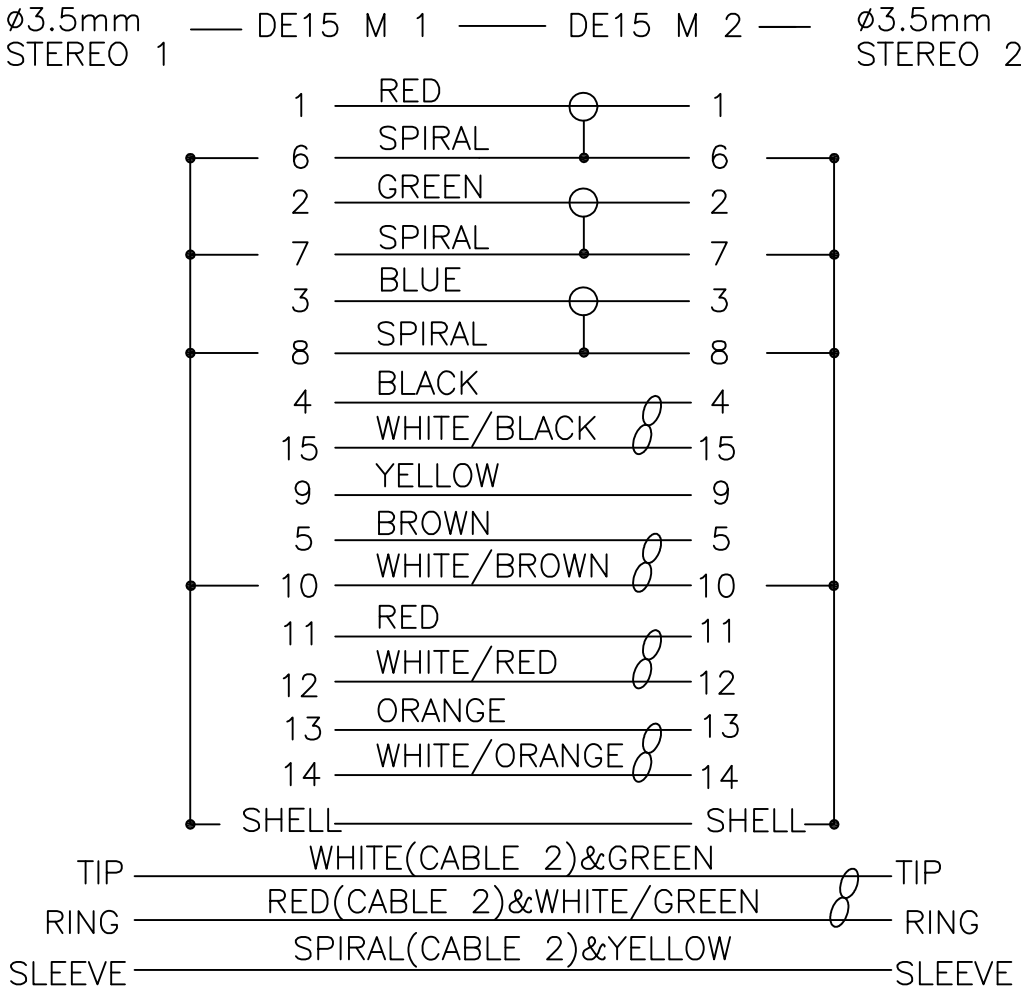
Bulk Cable:  
 28 AWG Coaxial Components  
 UL rated AWM 20276  
 CSA rated I/II A/B  
 EU RoHS 2002/95/EC Compliant

|            |       |       |
|------------|-------|-------|
| Z100VGAA15 | 4572  | 50    |
| P/N.       | L(mm) | T(mm) |

|  |                          |  |           |
|--|--------------------------|--|-----------|
| LIBERTY AV SOLUTIONS<br>11675 RIDGELINE DRIVE<br>COLORADO SPRINGS, CO 80921              |                          | WWW.LIBAV.COM<br>(800) 530-8998                        |           |
| SCALE  | None                     | TITLE:<br>Assembly Specification<br>CBL, ASY, VGA, PVC |           |
| UNLESS OTHERWISE SPECIFIED TOLERANCES:<br>x ±.015    xx ±.010<br>xxx ±.005    ANGLE ± 1° |                          | PART NUMBER:<br>Z100VGAAXXFT                           | DR:<br>RP |
| SHEET<br>1/2   | DWG. #:<br>LWC-ASY-00109 | CH:<br>RP  | AP:<br>RP |

| REV | DESCRIPTION | DATE     |
|-----|-------------|----------|
| 0   | ISSUE       | 03/19/08 |

PIN OUT



|  |  |                |
|--|--|----------------|
| LIBERTY AV SOLUTIONS   |  | WWW.LIBAV.COM  |
| 11675 RIDGELINE DRIVE  |  | (800) 530-8998 |
| COLORADO SPRINGS, CO 80921   |  |                |
| UNIT:mm  | TITLE:<br>Assembly Specification<br>CBL, ASY, VGA, PVC |                |
| SCALE  | None   |                |
| UNLESS OTHERWISE SPECIFIED TOLERANCES:<br>x ±.015 xx ±.010<br>xxx ±.005 ANGLE ± 1° | PART NUMBER:   | DR. RP         |
|  | Z100VGAAXFT  | CH. RP         |
| SHEET<br>2/2   | DWG. #:<br>LWC-ASY-00109                               | AP. RP         |